

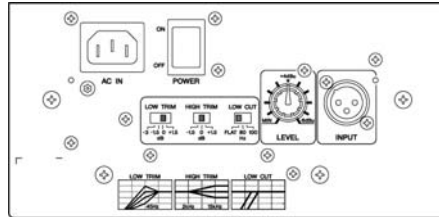
MSP STUDIO Series

Powered Near-field Monitors

MSP7 STUDIO



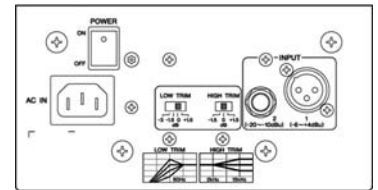
MSP7 STUDIO Rear Panel



MSP5 STUDIO



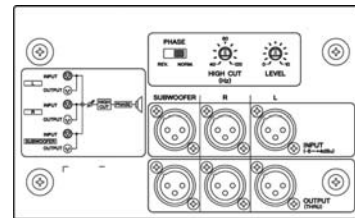
MSP5 STUDIO Rear Panel



SW10 STUDIO



SW10 STUDIO Rear Panel



Refined Monitoring Precision

Powered Monitor Speaker MSP7 STUDIO

- 2-way bass-reflex bi-amplified near field studio monitor 6.5" cone woofer and 1" titanium dome high-frequency unit delivers 45Hz- 40kHz frequency response.
- 130 watts (LF 80W + HF 50W) dynamic bi-amplified power.
- XLR balanced input.
- Advanced Magnetic Structure Design
- One-piece Molded Enclosure with Rounded Baffle
- 31 positions Level Control facilitates precise overall system level matching.
- Low Cut switch and TRIM Control (High/Low).
- Full magnetic shielding.

Powered Subwoofer SW10 STUDIO 10" bass-reflex powered subwoofer delivers solid 25Hz- 150Hz frequency response.

- 180 watts dynamic power.
- XLR balanced inputs (L/R/SUBWOOFER) .
- XLR balanced outputs(L/R/SUBWOOFER) parallel connection with input signals.
- Level control facilitates precise system level controls.
- 40-120 Hz, 80 Hz at Center Click LPF controls.
- Phase switch simplifies phase alignment.
- Full magnetic shielding.

Powered Monitor Speaker MSP5 STUDIO

- 2-way bas-reflex bi-amplified near field studio monitor 5" cone woofer and 1" titanium dome high-frequency unit delivers 50Hz- 40kHz frequency response.
- 67 watts (LF 40W + HF 27W) dynamic bi-amplified power.
- XLR balanced input and 1/4" unbalanced input.
- Advanced Magnetic Structure Design
- One-piece Molded Enclosure with Rounded Baffle
- 31 positions Level Control facilitates precise overall system level matching.
- TRIM Control(High/Low).
- Full magnetic shielding.

OPTIONS (MSP7 STUDIO)

BWS50-190/260/320

Wall Bracket

OPTIONS (MSP5 STUDIO)

BCS20-150/210

Ceiling Bracket

MSP STUDIO Series

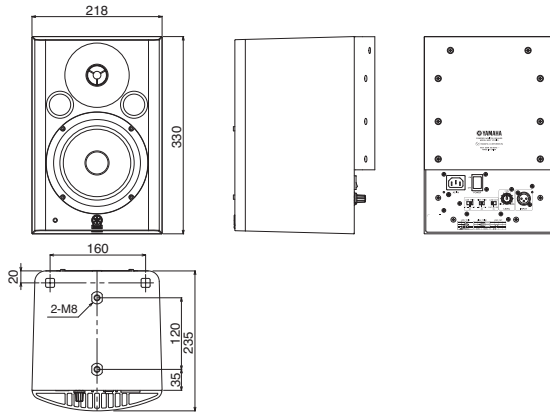
SPECIFICATIONS

MODEL		MSP7 STUDIO	MSP5 STUDIO	SW10 STUDIO	
GENERAL	Type	Bi-amp 2-way Powered Speaker	Bi-amp 2-way Powered speaker	Powered subwoofer	
	Crossover Frequency	2.5 kHz LF:30dB/oct, HF:30dB/oct	2.5 kHz LF:24dB/oct, HF:24dB/oct	-	
	Overall Frequency Response	45Hz-40kHz (-10dB)	50Hz-40kHz (-10dB)	25Hz-150Hz (-10dB)	
	Maximum Output Level	106dB, 1m on Axis	101dB, 1m on Axis	111dB, 1m on Axis	
	Dimensions (W x H x D)	218 x 330 x 235mm (8.6" x 13.0" x 9.3")	179 x 279 x 208mm (7.0" x 11.0" x 8.2")	328 x 459 x 476mm (12.9" x 18.1" x 18.7")	
	Weight	12.2kg (26.9lbs)	7.9kg (17.4lbs)	26.5kg (58.4lbs)	
	Magnetic Shielding	Yes	Yes	Yes (None covered type)	
Speaker Section	Components	LF: 6.5" cone HF: 1.0" Titanium dome	5" cone 1.0" Titanium dome	10" cone	
	Enclosure	Type	Bass-Reflex	Bass-Reflex	Bass-Reflex
		Material	PP	PP	MDF
Amplifier Section	Output Power *	80W	40W	180W	
	LF	THD = 0.05%, RL = 4Ω	THD = 0.02%, RL = 4	f = 100Hz, THD = 1%, RL = 8	
		50W	27 W	-	
	HF	THD = 0.05%, RL = 6Ω	THD = 0.02%, RL = 6Ω	-	
	S/N, IHF-A filter	≥99dB, LEVEL = Max	≥94dB, LEVEL = Max	≥100dB, LEVEL = Max	
	Input Sensitivity	XLR 3-31	+4dBu, LEVEL = Center -6dBu, LEVEL = Max	+4dBu, LEVEL = Center -6dBu, LEVEL = Max	+4dBu, LEVEL = Center -6dBu, LEVEL = Max
		PHONE	-	10dBu, LEVEL = Center -20dBu, LEVEL = Max	-
	Input Connectors, Impedance		XLR-3-31 (balanced), 10kΩ	XLR-3-31 (balanced), 10kΩ PHONE (unbalanced), 10kΩ	XLR-3-31 x 3 (balanced), 10kΩ
	Output Connectors		-	-	XLR-3-32 x 3 (balanced), Parallel connection with Input
	Controls	Level Control	31 Positions Detent type VR (Min = -∞Attenuation)	31 Positions Detent type VR (Min = -∞Attenuation)	Center Click VR (Min = -∞Attenuation)
LOW CUT Switch		FLAT/80Hz (12dB/oct)/100Hz (12dB/oct)	-	-	
HIGH TRIM		+1.5/0/-1.5dB at 15kHz	+1.5/0/-1.5dB at 15kHz	-	
LOW TRIM		+1.5/0/-1.5/-3dB at 45Hz	+1.5/0/-1.5/-3dB at 60Hz	-	
POWER Switch		on/off	on/off	on/off	
PHASE Switch		-	-	Normal/ Reverse	
LPF control		-	-	40-120Hz, 80Hz at Center Click	
Indicators	LED	Green: Power On Red: Clipping	Green: Power On Red: Clipping	Green: Power On Red: Clipping	
		Power Consumption	100W	60W	160W

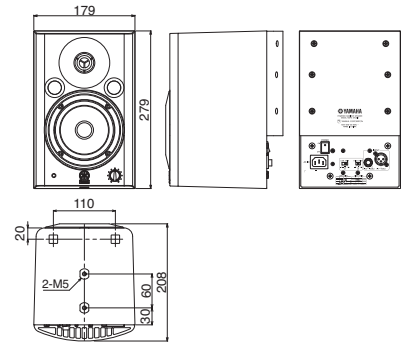
* These specifications apply to rated power supplies of 100, 120, 230 and 240 V.
* Specifications and appearance subject to change without notice.

DIMENSIONS

MSP7 STUDIO



MSP5 STUDIO



unit : mm

SW10 STUDIO

