

MS101III, MSP3

Powered Desktop Monitor

MS101III



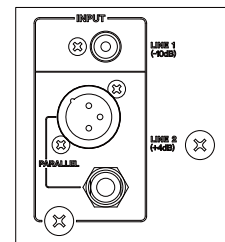
Rear Panel



MSP3



MSP3 Rear Panel



A compact, convenient approach to high quality monitoring.

- Compact use-anywhere desktop monitor dimensions.
- 10-cm full-range speaker driven by a 10-watt power amplifier delivers surprisingly big, high-quality sound.
- Three inputs offer connection and setup versatility for a variety of applications: mic x 1 (phone), line x 2 (phone & RCA pin).
- Tone control (high/low).
- Line output allows addition of an external speaker.
- Options for convenient stand or wall mounting (sold separately).

OPTIONS

BCS20-150/210

Ceiling Bracket



BWS20-120/190

Wall Bracket



BMS10A

Mic Stand Adaptor



BAS10

Free-Angle Clamp



MS101III, MSP3

GENERAL SPECIFICATIONS

Type	Bass-reflex powered speaker
Frequency response	75Hz to 18kHz
Sensitivity	97dB SPL (1m, 10W)
Power consumption	30W
Dimensions (W x H x D)	147 x 214 x 192mm (5.8" x 8.4" x 7.6")
Weight	2.5kg (5.5lbs)

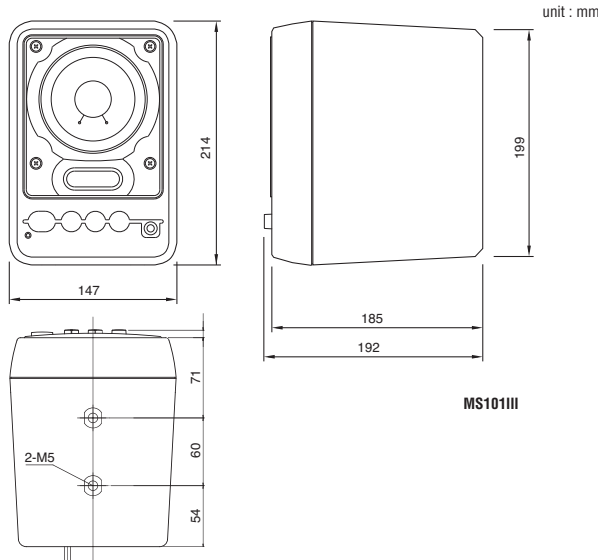
SPEAKER SECTION

Components	10cm cone x 1
Nominal impedance	4Ω

AMPLIFIER SECTION

Output power	10W (@1kHz, THD=0.5%, RL=4Ω)
Input terminal	MIC input: Phone jack (-45dB, 2kΩ) LINE input1: RCA pin jack(-10dB, 10kΩ) LINE input2: Phone jack(-10dB, 10kΩ)
Output terminal	LINE OUT: Phonejack(-10dB, 600Ω)
Control	VOLUME, Tone control (Low/High)

DIMENSIONS



SPECIFICATIONS

MODEL		MSP3	
GENERAL	Type	2-way, Powered speaker	
	Crossover Frequency	4.0kHz	
	Overall Frequency Response	65Hz to 22kHz (-10dB)	
	Maximum Output Level	98dB, 1m on Axis	
	Dimensions (W x H x D)	144 x 236 x 167mm (5.7" x 9.3" x 6.6")	
	Weight	4.4kg (9.7lbs)	
	Magnetic Shielding	Yes	
	Speaker Section	Components	LF HF
		Enclosure Type	Bass-reflex type
	Amplifier Section	Output Power *	LF HF
S/N, IHF-A filter		XLR 3-31	
Input Sensitivity		PHONE	
Input Connectors, Impedance		Line1: (RCA phone, unbalanced), 10kΩ Line2: (XLR3-31, Phone, balanced, parallel), 10kΩ	
Output Connectors		-	
Controls		Level Control	Levelcontrol for Line1 & Line2
		LOW CUT Switch	-
		HIGH TRIM	-3.0dB to +3.0dB at 10kHz
		LOW TRIM	-3.0dB to +3.0dB at 100Hz
		POWER Switch	on/off
	PHASE Switch	-	
Indicators	LED	Green LED	
	Power Consumption	30W	

* These specifications apply to rated power supplies of 100, 120, 230 and 240 V.

* Specifications and appearance subject to change without notice.

DIMENSIONS

