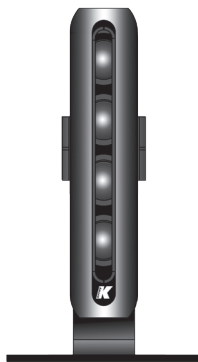




Homeline
Piccolo

USER'S MANUAL
English



Manual issued on 09-01-2013

CONTENTS

SYMBOLS	5
1. Introduction	6
2. Unpacking	8
3. Package content	8
4. Safety and handling information	9
5. Physical	10
6. Power and voltage requirements	11
7. Amplifier overview	12
8. Setup and Operation	14
9. K-Framework	16
10. Service	17
11. Warranty	17
12. Declaration of conformity	18
13. Specifications	19

Piccolo

SYMBOLS



K-array declares that this device is in compliance with the applicable CE standards and regulations. Before putting the device into operation, please observe the respective country-specific regulations!



WEEE

Please dispose of this product at the end of its operational lifetime by bringing it to your local collection point or recycling centre for such equipment.



This symbol, wherever it appears, alerts you to important operating and maintenance instructions in the accompanying literature. Read the manual!



This device complies with the Restriction of Hazardous Substances Directive.

Piccolo

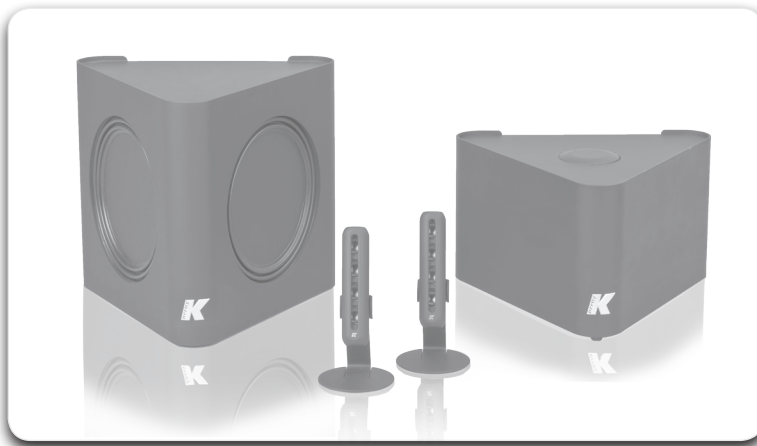
1. Introduction

Philosophy

The Piccolo audio system from *K-array* has been designed to satisfy music lovers who are looking for the highest quality sound from a virtually invisible speaker system.

K-array has over twenty years of research and development experience in acoustics and digital audio signal processing design and production of professional sound systems for live theatre and concert performances.

When we put our minds to our first "home system" we were intent on developing a product that would have the power to fill your living room or study with concert hall sound and crystal clear definition in a perfectly elegant and discreet format.



Piccolo

Components

The Piccolo audio system is comprised of two mid-high speaker components, a sub woofer with a 6" driver and a passive radiator, and the amplifier and control module.

There are no extraneous elements that are not essential to producing the highest level of fidelity and to enhance the listening experience.

A basic kit for wiring, two brackets for wall installation and two stands for table or shelf mounting are included in the packaging as well, to make the installation quick and easy for any use.

Use

The Piccolo audio system is a perfect example of K-Array's design focus on user-friendly operation.

One control on the top of the amplifier turns the system on and off and sets the volume.

Signal inputs connect to balanced XLR and standard RCA connectors.

K-Framework PC software interfaces via USB, providing an intuitive 10-band equalizer which allows the user to optimize the system frequency response to the specific environment and personal taste.

Installation is also made very easy. The two mid-high speakers can be mounted to a wall or to a shelf using the mounting accessories and the wiring kit included in the package.

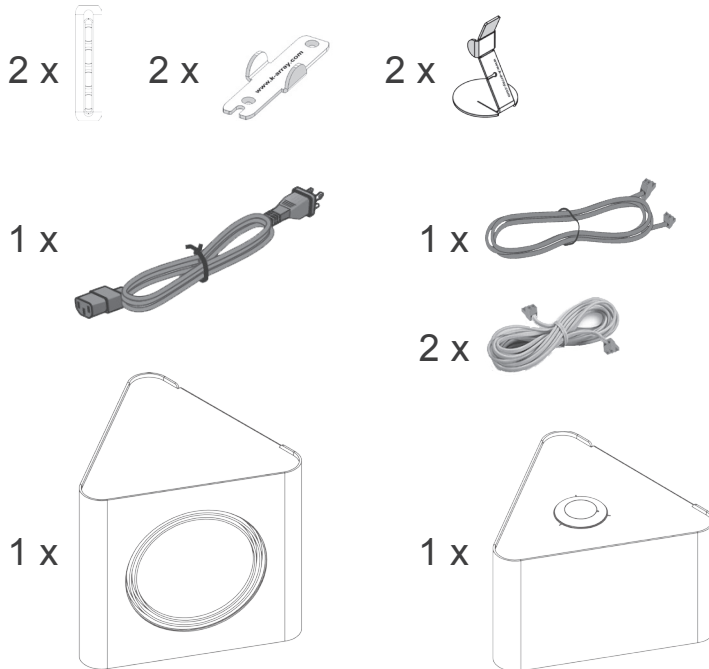
Piccolo

2. Unpacking

Each Piccolo audio system is built to the highest standard and thoroughly inspected before leaving the factory. Carefully inspect the shipping carton before opening it, and then examine and test your new loudspeaker system. If you find any damage immediately notify the shipping company.

Only the consignee may institute a claim for damages incurred in shipping.

3. Package content



4. Safety and handling information



Read all safety information below and operating instructions before using Piccolo to avoid injury. For a downloadable version of the Piccolo User Manual and the latest version of this Important Product Information Guide, visit: www.k-array.com

Warning. Failure to follow these safety instructions could result in fire, shock or other injury or damage to Piccolo or other property.

It is important that loudspeaker systems are used in a safe manner.

Avoiding Hearing Damage.

Never stand close to loudspeakers driven at high volume. Set the volume to a safe level. You can adapt over time to a higher volume of sound that may sound normal but can be damaging to your hearing. If you experience ringing in your ears or muffled speech, stop listening and have your hearing checked. The louder the volume, the less time is required before your hearing could be affected.

Choking Hazards.

Piccolo contains small parts, which may present a choking hazard to small children. Keep Piccolo and its accessories away from small children.

Avoiding Water and Wet Locations.

Do not install the speaker in wet or humid locations without using weather protection. Take care not to spill any food or liquid on Piccolo. To clean Piccolo, switch the system off, and unplug all cables and allow it to dry thoroughly before turning it on again.

Do not attempt to dry Piccolo with an external heat source, such as a microwave oven or hair dryer. A Piccolo that has been damaged as a result of exposure to liquids could be not serviceable.

Keeping the Outside of Piccolo Clean.

Handle your Piccolo with care to maintain its appearance. To clean Piccolo, unplug all cables

and turn off it. Then use a soft, dry or slightly damp cloth. Avoid getting moisture in openings.

Don't use window cleaners, household cleaners, aerosol sprays, solvents, alcohol, ammonia, or abrasives to clean Piccolo.

Carrying, Handling and Installing Piccolo.

Piccolo contains sensitive components. Do not drop, disassemble, open, crush, bend, deform, puncture, shred, microwave, incinerate, paint, or insert foreign objects into Piccolo.

Do not operate the speaker for an extended period of time with sound distortion. This is an indication of malfunction, which in turn can generate heat and result in a fire.

To reduce the risk of overheating the amplifier, avoid exposing it to direct sunlight.

Do not install the unit near heat emitting appliances, such as a room heater or stove.

No naked flame sources such as lighted candles should be placed near the device.

Operate Piccolo in a place where the temperature is between -20°C and 50°C (-4°F to 122°F). Avoid dramatic changes in temperature or humidity when using Piccolo, as condensation may form on or within Piccolo.

During the use, it is normal for Piccolo to get warm. The exterior of Piccolo functions as a cooling surface that transfers heat from inside the unit to the cooler air outside.

Piccolo

Piccolo should be placed so that its location does not interfere with its proper cooling.

Repairing or Modifying Piccolo. Never attempt to disassemble, repair or modify the system yourself. Disassembling Piccolo may cause damage that is not covered under the warranty. The unit contains no user-serviceable parts. Repairs should only be performed by factory trained service personnel.

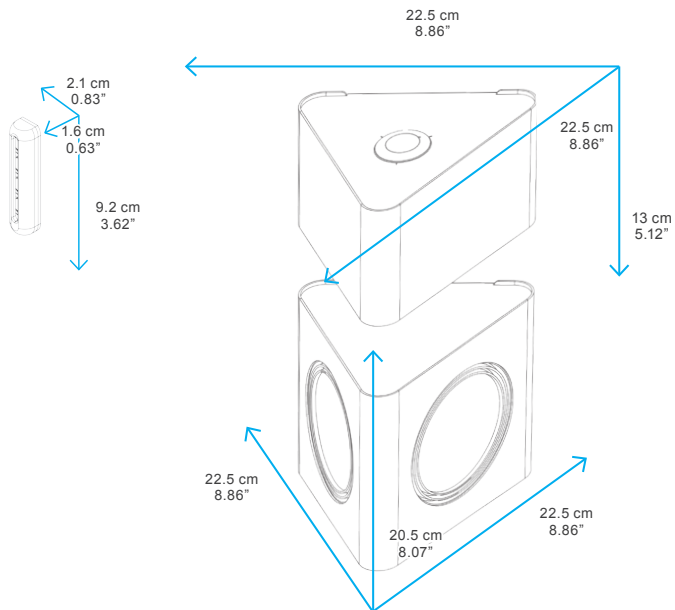
Voltage requirement. Be sure that the supplied voltage stays between the specified range.

Piccolo operates safely and without audio

discontinuity if the AC voltage stays within both 85-132 V and 170-264 V , at 50 or 60 Hz. Verify that your mains connection satisfies the power ratings of the device. Only connect the power supply to an appropriate power adapter.

Warning: connecting the system to an AC power mains with a voltage exceeding 270V will cause significant damage to the device and create a serious risk for users!

5. Physical



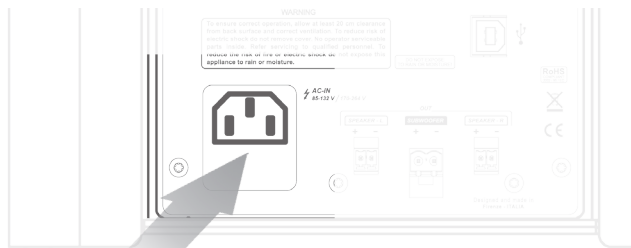
6. Power and voltage requirements

Piccolo operates safely and without audio discontinuity if the AC voltage stays within both 85-132 V and 170-264 V , at 50 or 60 Hz.

Verify that your mains connection satisfies the power ratings of the device.

**CAUTION**

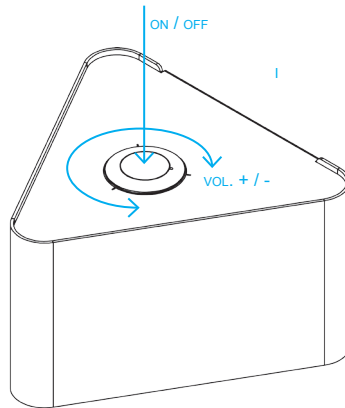
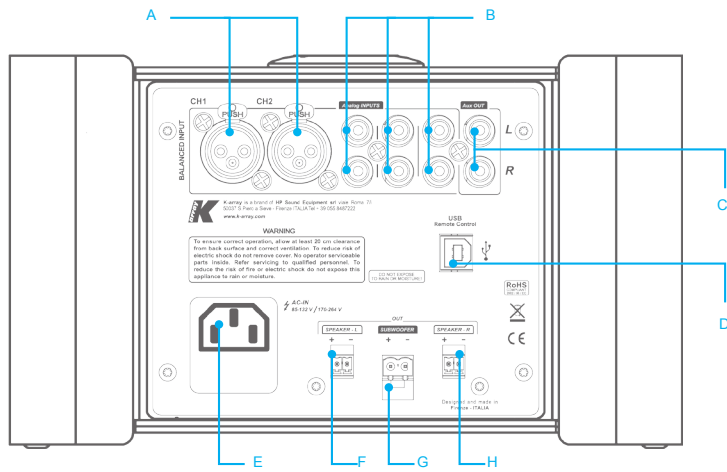
Connecting the system to an AC power mains with a voltage exceeding 270V will cause significant damage to the device and create a serious risk for users!



VDE power cable

Piccolo

7. Amplifier overview



Piccolo

- A) **XLR balanced inputs.** These two inputs accept balanced, low impedance audio signals which allow the use of long cable runs (>10mt), without losing the quality of the signal.
- B) **RCA unbalanced inputs.** These connections are the standard for home devices such as CD/DVD readers, portable devices, personal computers, etc.
- C) **RCA unbalanced outputs.**
- D) **USB Remote Control plug** for Remote Management via K-Framework software.
- E) **Power plug.**
- F) **Left channel audio power output.** Connect to the Left mid-high range speaker.
- G) **Subwoofer audio power output.** Connect to the subwoofer.
- H) **Right channel audio power output.** Connect to the Right mid-high range speaker.
- I) **Main Volume Knob.** To turn the system on and off, push the knob down until it clicks. When Piccolo is on, a soft white light will filter out from under the knob, highlighting its frame, the position pointer, and three equally spaced reference points. Turn the knob clockwise to increase the volume and counterclockwise to decrease the volume. **N.B. The last part of the volume knob's range provides an extra gain of 10dB, useful for low volume sources.**

Piccolo

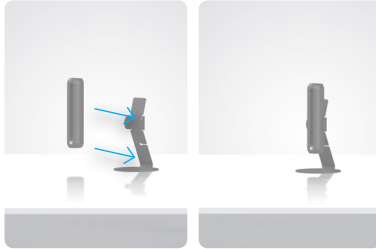
8. Setup and Operation

WALL MOUNTING

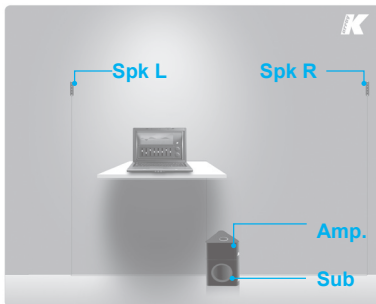


- 1) Fix the wall brackets to the mounting surface with appropriate anchors or screws.
- 2) Connect the cables to the speakers.
- 3) Clip the speakers to the bracket using the magnets on the back of the speaker.

TABLE OR SHELF MOUNTING

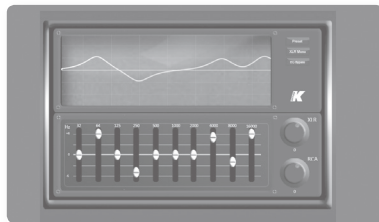
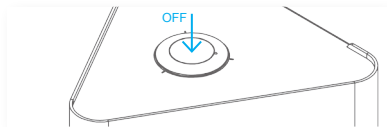
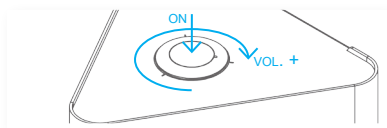
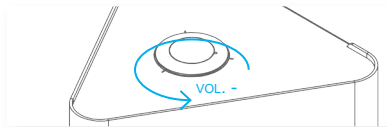
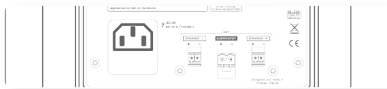
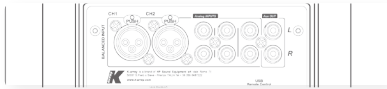


- 1) Place the stands on a plain surface.
- 2) Connect the cables to the speakers.
- 3) Clip the the speakers to the stands using their magnet, placed on the back.



- 4) Place each component of the system in the desired location

Piccolo



5) Plug the cable from your CD/DVD player, mp3 reader, or any other compatible audio device into one input.

6) Plug the power cable and the speakers into their dedicated sockets.

7) Make sure the volume knob is in "0" position by turning it anti-clockwise until it stops.

8) Turn it on by pushing the volume knob and press start on your audio source.

9) Gradually turn the volume knob clockwise until it reaches the desired volume.

10) To turn Piccolo off push the volume knob again.

Piccolo has its own dedicated management software to be loaded inside the K-Framework. With this software users can edit the signal processing both through equalization and ambient design. All of these user settings can be stored into preset files not only on the Piccolo internal memory but also on the computer hard drive or on any data support.

Presets can be shared on line with the community of users through the k-array web site, and specific presets will also be uploaded by K-array itself.

Piccolo

9. K-Framework

K-framework is a management software for K-array speaker systems.

Be sure you have the latest version of K-framework installed on your personal computer also in order to keep all systems firmware and preset banks up to date.

To download your free K-Framework software, please navigate to the K-array “Software Download” page

located at <http://www.k-array.com/software>

Download the latest 32- or 64-bit installer. Decompress the .zip file and extract the “K-Framework. setup”

installer file.

- Windows Vista and Windows 7 users can install the software by simply running the K-Framework. setup file.

- Windows XP users are required to install the necessary USB drivers separately

SYSTEM REQUIREMENTS:

Operating System: Windows XP / Vista / 7 / 8

CPU: Intel Pentium Dual Core

Memory: 2 GB

REQUIRED COMPONENTS:

Microsoft .NET Framework 4

Microsoft Visual C++ 2010 Redistributable Package (x86)

Microsoft Visual C++ 2010 Redistributable Package (x64)

10. Service

To obtain service:

- 1) Contact the official K-array distributor in your country. They will direct you to the service centre.
- 2) If you are calling for service, have the serial number(s) of the unit(s) at hand for reference. Ask for Customer Service, and be prepared to describe the problem clearly and completely.
- 3) If the problem cannot be resolved over the phone, you must return the unit for service.
- 4) You will be given an RA (Return Authorization) number for job tracking. Refer to this number on shipping materials and in all correspondence concerning the repair. Shipping charges are the responsibility of the purchaser.

Any attempt to modify or replace components of the device will invalidate your warranty. Service must be performed by an authorized K-array service center.

Cleaning:



- Clean the product enclosures using a soft, dry cloth only.
- Do not use any solvents, chemicals, or cleaning solutions containing alcohol, ammonia, or abrasives.
- Do not use any sprays near the product or allow liquids to spill into any openings.

11. Warranty

K-array systems are warranted against manufacturing defects in materials or craftsmanship as determined by the distributor. During the warranty period K-array will, at its discretion, either repair or replace products which prove to be defective provided that the product is returned in its original packaging, shipping prepaid, to an authorized K-array service agent or distributor. K-array cannot be held responsible for defects caused by unauthorized modifications, improper use, negligence, exposure to inclement weather conditions, act of God or accident, or any use of this product that is not in accordance with the instructions provided by K-array. K-array is not liable for consequential damages. This warranty is exclusive and no other warranty is expressed or implied. This warranty does not affect your statutory rights.

Piccolo

12. Declaration of conformity

Manufacturer/Importer: K-array srl unipersonale
Brand: K-ARRAY
Address: via Paolina Romagnoli - 50037 S. Piero a Sieve Firenze ITALY

Date of Issue: 10 / 01 / 2012

Model Code: Piccolo

Declaration: Complies with essential protection requirements of Council Directive 89/336/EEC on the approximation of the Laws of the Member States relating to electromagnetic compatibility. This declaration applies to all specimens manufactured in accordance with the attached manufacturing drawings which form part of this declaration. Assessment of compliance of the product with the requirements relating to electromagnetic compatibility was based on the following standards:


Safety: EN60065 : 1998

EMC:

EN55103-1 1997 Emission (1)

EN55103-2 1997 Immunity (2)

- 1) This device may not cause harmful interference
- 2) This device must accept any interference received including interference that may cause undesired operation

Marking : 

Applying Year: 1998
Applied by: K-array srl unipersonale

Via Paolina Romagnoli
50037 S. Piero a Sieve
Firenze Italy
Tel. +39 055 8487222
Fax +39 055 8487238

Signed by: Franco Spataro - Technical Manager

13. Specifications

Piccolo

Acoustics

Frequency range	32 Hz - 18 KHz
Maximum SPL	92 dB

Amplifiers

Type	2 x class D – DSP controlled
Power to mid-high	50 W x 2 (100 W total)
Power to subwoofer	110 W
Protection	Dynamic limiter, over current, over temp, short circuits

Transducers

Mid-high (each)	4 x 0.5" Neodymium cone driver with 0.5" voice coil
Subwoofer	1 x 6" Neodymium magnet with double 1.5" voice coil 1 x 6" passive radiator

AC Power

Operating range	85 - 132 Vac 50 Hz (Auto-switching) 170 - 264 Vac 60 Hz (Auto-switching)
I nominal	2 A / 115 Vac - 1 A / 230 Vac
Peak power	2 x 220 W / 120 ms max
Max power consumption	150 W

Physical

Dimensions	9.2 x 2.1 x 1.6 cm (mid-high) 13 x 22.5 x 20.2 cm (subwoofer) 20.5 x 22.5 x 20.2 cm (amplifier)
Weight	57 g (mid-high) 4.6 Kg (subwoofer) 3.3 Kg (amplifier)



K-array s.r.l. unipersonale

Via Paolina Romagnoli - 50037
San Piero a Sieve (Firenze) - Italy
tel. +39 055 8487222 - fax. +39 0558487238
e-mail: info@k-array.com
www.k-array.com

