



KU210

Ultra thin, high power passive subwoofer

FEATURES

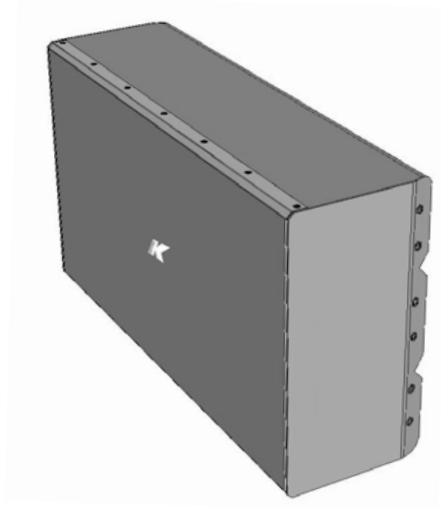
- Unique performance-to-size ratio
- High power 127 dB SPL (peak)
- 10" long-excursion woofer
- 10" passive radiator
- Extended frequency response
- Double voice coil (8Ω+8Ω)
- Weather proof, suitable for outdoor installations- IP54

APPLICATIONS

- Theatre, Club, Churches
- To extend the low range in small and medium rooms
- Portable and installed AV systems
- Stage and AV studio monitoring

COLORS AVAILABLE

BLACK  WHITE 

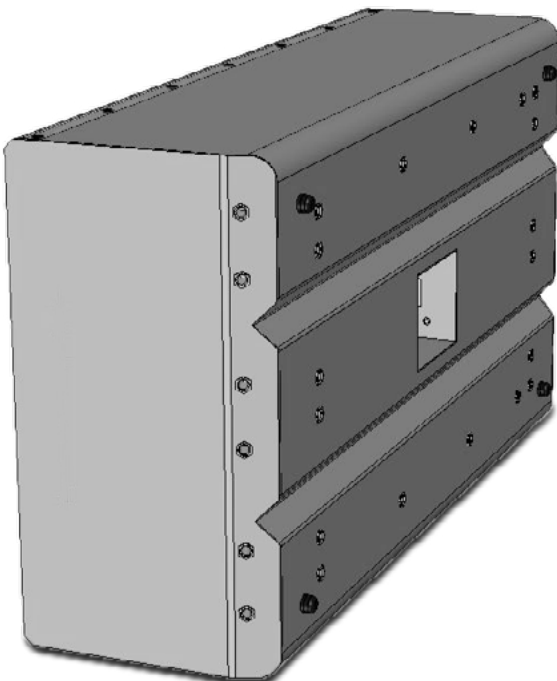


DESCRIPTION

With a frequency range of 40 Hz to 300 Hz and 127 dB SPL (peak), the KU210 is the perfect companion to any of the K-array Installed Sound Series speakers. The combination provides full range frequency response with prodigious output and a virtually invisible profile. It is comprised of a 10" neodymium transducer, combined with a 10" passive transducers, instead of reflex, which ensures that the device remains completely sealed. The unit is engineered for maximum linear excursion and minimum residual noise. Its neodymium transducer has a double coil controlled by two

amplified channels. KU210 is made entirely of steel, making it extremely resistant, even when deployed outside in tough weather conditions. This makes it ideal for marine environments where ordinary bass speakers would corrode. As the chassis is completely sealed, it cannot be penetrated by foreign objects such as dust, sand or water, which over time can ruin a speaker. KA series amplifiers have presets specifically optimized for KU210 applications.

All KU210 components are designed by the K-array R&D department and custom made under the K-array quality control system.



TECHNICAL SPECIFICATIONS

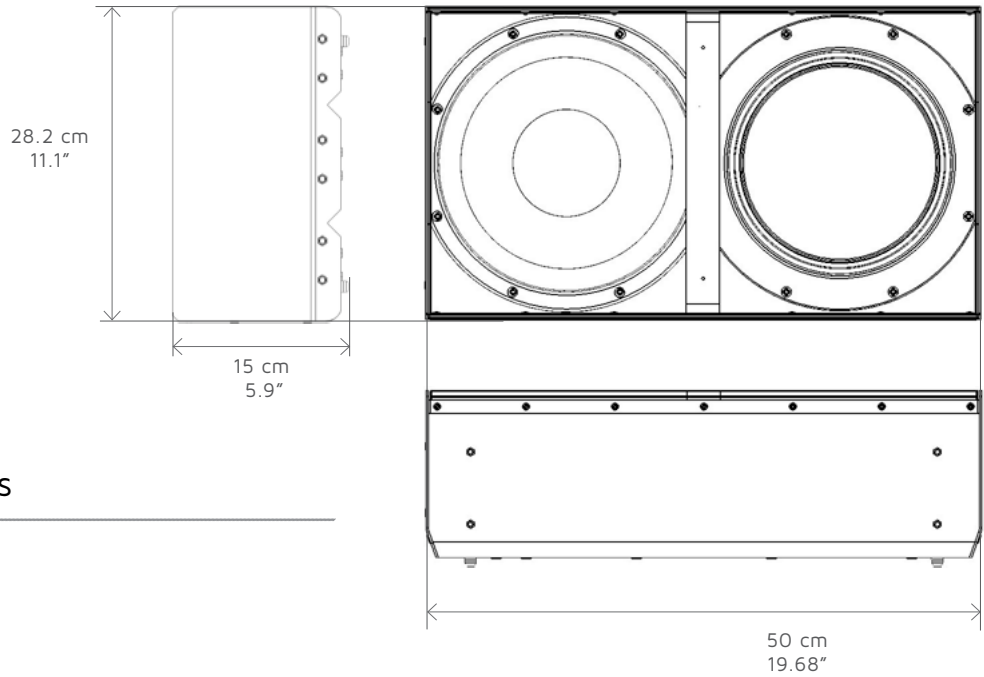
	ACOUSTICS
Power handling	2 x 160 W
Max power	N.A. ⁽¹⁾
Impedance	4 / 16 Ω selectable (2 x 8 Ω)
Frequency range (-10 dB)	40 Hz – 300 Hz ⁽²⁾
SPL 1W/1mt	94 dB ⁽³⁾
Maximum SPL	121 dB (cont.) – 127 dB (peak) ⁽⁴⁾
	COVERAGE
Horizontal	omni
Vertical	omni
	CROSSOVER
Type	External crossover required
Frequency	Low pass @ 150 HZ suggested

	TRANSDUCERS
Type	1 x 10" Neodymium magnet with 2" voice coil
Type	1 x 10" passive transducer
	POWER AUDIO IN/OUT
Connectors	1 x 4-pin connector
Wiring	Pin 1=Ch 1+, Pin 2=Ch 1-, Pin 3=Ch 2+, Pin 4=Ch 2-
	RECOMMENDED AMPLIFIERS
Type	KA14, KA24
	CERTIFICATION
IP	54
	PHYSICAL
Dimensions	50 cm x 28.2 cm x 15 cm (19.68" x 11.1" x 5.9")
Weight	11 Kg (24.25 lb)

Notes for data

1. Maximum RMS applicable power for a musical signal. The reference signal is the one proposed by EIAJ standard
2. With dedicated preset;
3. Measured @4 mt then scaled @1 mt;
4. Measured with musical signal

New materials and design are introduced into existing products without previous notice. Present systems may differ in some respects from those presented in this catalogue.



ARCHITECT SPECIFICATIONS