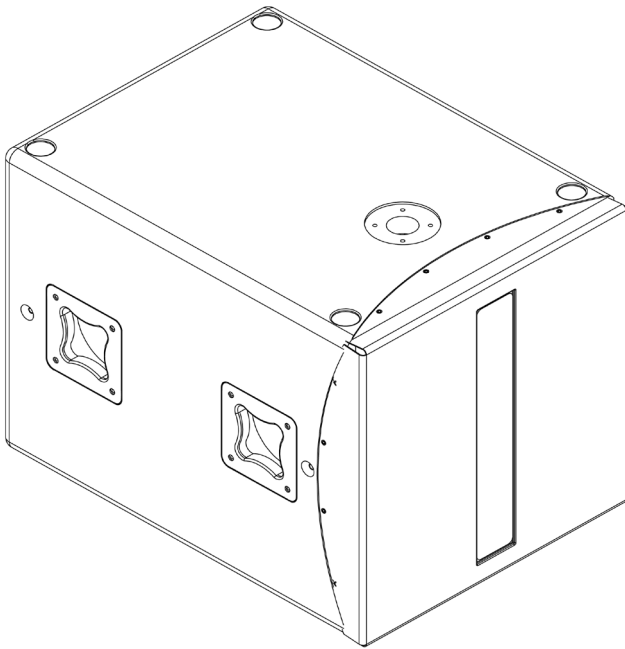


KMT21P

Ultra-light, high-power
21" subwoofer



DATASHEET



Features

- Unique performance-to-size ratio
- High power 132 dB continuous - 138 dB peak
- Fitted with integral handles and castors
- Direct radiating, long excursion 21" driver
- Ultra fast set-up and dismantling system

Applications

- Theatrical sound reinforcement
- Concert halls, clubs, houses of worship
- Portable and installed audio-visual systems
- Cinema surround sound and effects

The KMT21P is a high performance sub-bass system designed for use with small to medium wavefront systems, in both touring and install applications.

It features a 1800 watt 21" drive unit with magnet structure and suspension engineered for maximum linear excursion.

The ultra-light reflex cabinet is fitted with two pocket handles and one M20 thread mount position for

Specifications	
Acoustics	
Power handling	1800 W ^(AES)
Impedance	4Ω
Frequency range	30 Hz - 150 Hz. +/- 3dB (Preset dependent)
Maximum SPL	132 dB continuous - 138 dB peak
Coverage	
Horizontal	Omni
Vertical	Omni
Crossover	
Type	External Crossover required
Frequency	Low pass @ 150 Hz, 24 dB/oct suggested
Transducers	
Full range	1 x 21" Neodymium magnet with 4" voice coil
Power Audio Input	
Connectors	2 x 4-pin Speakon
Wiring	1+ 1- (signal IN & LINK); 2+ 2- (through)
Physical	
Dimensions	55.5 x 55.5 x 77.7 cm (21.85" x 21.85" x 30.59")
Weight	44.5 Kg (98.11 lbs)
<small>Notes for data New materials and design are introduced into existing products without previous notice. Present systems may differ in some respects from those presented in this brochure</small>	

attaching mid-high speakers .

It features large area porting to reduce air noise.

The KMT21P is ideal for small throw applications, like theaters, concert halls, AV installations.

All the KMT21P components are designed by K-array R&D department and custom made under K-array control quality system. .