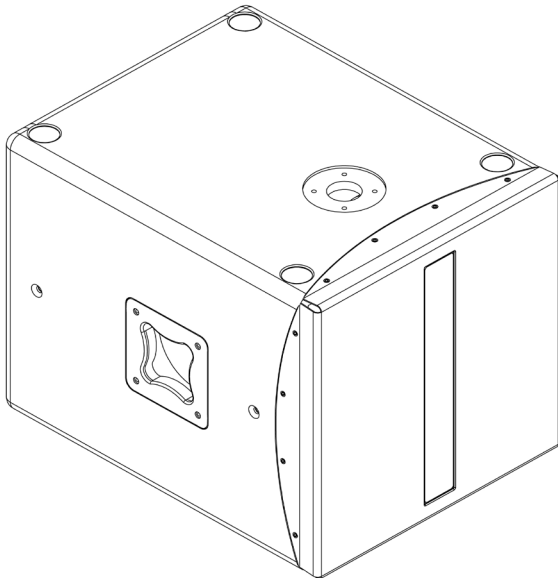


# KMT18P

Ultra-light, high-power  
18" subwoofer



## DATASHEET



### Features

- Unique performance-to-size ratio
- High power 130 dB continuous - 136 dB peak
- Fitted with integral handles and castors
- Direct radiating, long excursion 18" driver
- Ultra fast set-up and dismantling system

### Applications

- Theatrical sound reinforcement
- Concert halls, clubs, houses of worship
- Portable and installed audio-visual systems
- Cinema surround sound and effects

The KMT18P is a high performance sub-bass system designed for use with small to medium wavefront systems, in both touring and install applications. It features a 800 watt 18" drive unit with magnet structure and suspension engineered for maximum linear excursion. The ultra-light reflex cabinet is fitted with two pocket handles and one M20 thread mount position for attaching mid-high speakers. It features large area porting to reduce air noise.

The KMT18P is designed to be powered by KMT18 speakon output and to be easily integrated with KK102 mid-high speakers.

The KMT18P is ideal for medium throw applications, like theaters, concert halls, AV installations.

All the KMT18P components are designed by K- array R&D department and custom made under K-array control quality system.

### Specifications

#### Acoustics

Power handling	800 W <sup>(AES)</sup>
Impedance	8Ω
Frequency range	30 Hz - 150 Hz. +/- 3dB (Preset dependent)
Maximum SPL	130 dB continuous - 136 dB peak

#### Coverage

Horizontal	Omni
Vertical	Omni

#### Crossover

Type	External Crossover required
Frequency	Low pass @ 150 Hz, 24 dB/oct suggested

#### Transducers

Full range	1 x 18" Neodymium magnet with 3" voice coil
------------	---

#### Power Audio Input

Connectors	2 x 4-pin Speakon
Wiring	1+ 1- (signal IN & LINK); 2+ 2- (through)

#### Physical

Dimensions	46.5 x 47.5 x 61 cm (18.31" x 18.70" x 24.02")
Weight	24.6 kg (54.23 lbs)

*Notes for data*

*New materials and design are introduced into existing products without previous notice. Present systems may differ in some respects from those presented in this brochure*