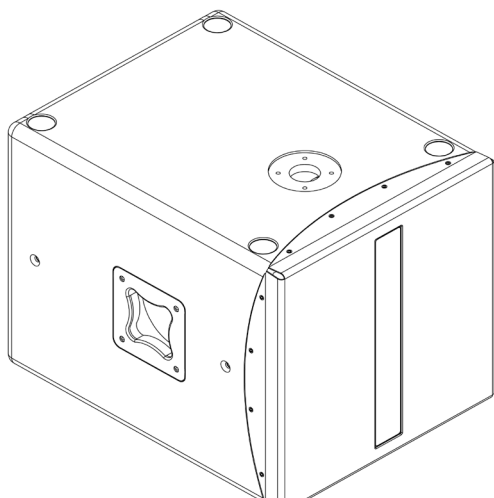


KMT12P

Ultra-light, high-power
12" subwoofer



DATASHEET



Features

- Unique performance-to-size ratio
- High power 128 dB continuous - 134 dB peak
- Fitted with integral handles and castors
- Direct radiating, long excursion 12" driver
- Ultra fast set-up and dismantling system

Applications

- Theatrical sound reinforcement
- Concert halls, clubs, houses of worship
- Portable and installed audio-visual systems
- Cinema surround sound and effects

The KMT12P is a high performance sub-bass system designed for use with small to medium wavefront systems, in both touring and install applications. It features a 700 watt 12" drive unit with magnet structure and suspension engineered for maximum linear excursion.

The ultra-light reflex cabinet is fitted with two pocket handles and one M20 thread mount position for

Secifications	
Acoustics	
Power handling	700 W ^(AES)
Impedance	8Ω
Frequency range	40 Hz - 150 Hz. +/- 3dB (Preset dependent)
Maximum SPL	128 dB continuous - 134 dB peak
Coverage	
Horizontal	Omni
Vertical	Omni
Crossover	
Type	External Crossover required
Frequency	Low pass @ 150 Hz, 24 dB/oct suggested
Transducers	
Full range	1 x 12" Neodymium magnet with 3" voice coil
Power Audio Input	
Connectors	2 x 4-pin Speakon
Wiring	1+ 1- (signal IN & LINK); 2+ 2- (through)
Physical	
Dimensions	32.5 x 33.5 x 43.5 cm (12.91" x 13.19" x 17.13")
Weight	12.6 kg (27.78 lbs)
<small>Notes for data New materials and design are introduced into existing products without previous notice. Present systems may differ in some respects from those presented in this brochure</small>	

attaching mid-high speakers . It features large area porting to reduce air noise.

The KMT12P is ideal for small throw applications, like theaters, concert halls, AV installations.

All the KMT12P components are designed by K-array R&D department and custom made under K-array control quality system.